



BEST NEW ITEMS

- August -

FREE SHIPPING

On All Orders in 2019



Burst Blocker adapters are your first line of defense in the case of a broken supply line to quickly shut off water and minimize water damage. These adapters fit between standard valves and supply lines, are easy to install, and offer simple protection.

Faucet / Toilet Excess Flow Stopper Adapters (Pair)

#70426

- 3/8" Compression Female to Male
- One set protects one faucet or two toilets
- Minimum 2.5 GPM to function



Washing Machine Excess Flow Stopper Adapters (Pair)

#70427

- 3/4" Hose Thread Female to Male
- One set protects 2 Washing Machines
- Minimum 3.0 GPM to function



Check out our videos for these products, and more on YouTube!
[Youtube.com/BestPlumbingOnline](https://www.youtube.com/BestPlumbingOnline)

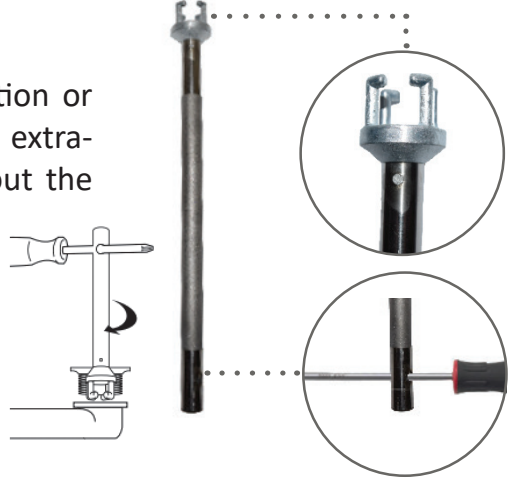


EZ Hold Strainer Tool

#10019

The EZ Hold Strainer tool can be used for easy installation or removal of kitchen sink and bathtub drain strainers. The extra-long stainless-steel handle allows for accessibility without the help of another person holding the strainer in place.

- Non-slip grip for added leverage added control when in use
- Heavy duty, all metal construction
- Leverage hole to fit a screwdriver for extra torque



BEST PLUMBING SPECIALTIES

BEST FAUCETS PROMOTION

JULY & AUGUST

Receive a **FREE BEST PLUMBING POLO** with an order of 4 or more faucets from our Best Plumbing Specialties line of faucets for both Kitchen and Lavatory.

BPS FAUCETS

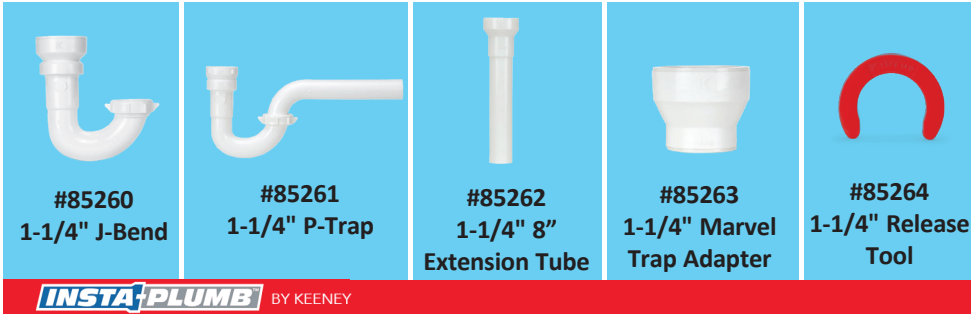


Central Brass



Ph: 800-448-6710 | Fax: 800-700-2378 | www.bestplumbingspecialties.com

Insta-Plumb



Insta-Plumb tubular products feature push fit technology with a stainless-steel grip ring that holds a tight connection, along with an O-ring that provides a leak free seal.

This system makes installation faster and easier than conventional slip nuts, washers, and glue, so you can install with ease.

- 1-1/4" fitting for under sink bathroom drainage
- Great for hard to reach areas
- Connections can be easily removed or repositioned using the release tool
- No additional tools required
- 1-1/2" options also available



Scan Here for Product Flyer



Scan Here for Product Video

Blue Monster Microbubble Gas Leak Detector #99722

Blue Monster® Microbubble leak detector is a sensitive solution formulated to detect even the smallest leaks in air and gas lines, tanks, cylinders, valves, fittings, pipelines, and other suspected areas. Use the dauber to apply the product onto the suspect area, and watch for bubbles. Effective on natural gas, propane, butane, air, nitrogen, chlorine, CO₂, and most other gases. **Not for use on oxygen systems.** pg.6-77

- Non-freezing formula
- Will not cause corrosion or deterioration of metal or plastic piping systems
- Ideal for testing extremely low pressure leaks less than 1 PSI

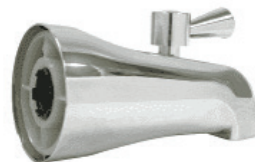


Quarter Turn Diverter Tub Spout

99153802- 1/2" and 3/4" w/ Threaded Connection

99153911- 1/2" w/ Slip Connection

This drip-free diverter tub spout features a quarter-turn brass ball valve for complete and positive shutoff. Threaded version is available with sleeve adapter to convert from 1/2" to 3/4" to fit male pipe thread.



- Universal use
- Available in both threaded and slip
- Die cast fixture with plastic connection
- Chrome finish

Did You Know Best Carries ...

Cordzilla Secure Line Bungees
#99153464 - 3' Cordzilla (Green)
#99153437 - 5' Cordzilla (Orange)

Cordzilla stretch ropes feature an 8 mm bungee encased inside a flexible polypropylene rope to create a strong, safe, multi-purpose tie-down. pg. 10-48



- 3' cordzilla stretches up to 5ft.
- 5' cordzilla stretches up to 9ft.
- Abrasion, rot, and mildew resistant jacket
- Adjustable foam pads protect surfaces from scratching
- Safe working load of 400lb

Better Than Wax
#55552 - Toilet Gasket Only
#55559 - Toilet Gasket Kit w/ Spacer and Closet Bolts

- No Wax, No Mess!
- Fits 3" or 4" flange
- Fits any drain and any floor mounted toilet
- Works with above and below floor flanges, uneven floors, or over tile floors with recessed flanges
- Can be repositioned during installation
- Excessive plunging won't cause leaks
- Features bolt holes for easy guide installation



1-1/4" Drew Pilaster Post #63644

This hardware is used to support pilasters and partition panels in commercial restroom stalls. This support features a 1-1/4", two ear bracket and can adjust from a floor clearance of 11-1/2 to 14 inches. pg. 6-4



- Stainless-steel construction
- Installation fasteners included



Check out our videos for these products, and more on YouTube!
[Youtube.com/BestPlumbingOnline](https://www.youtube.com/BestPlumbingOnline)